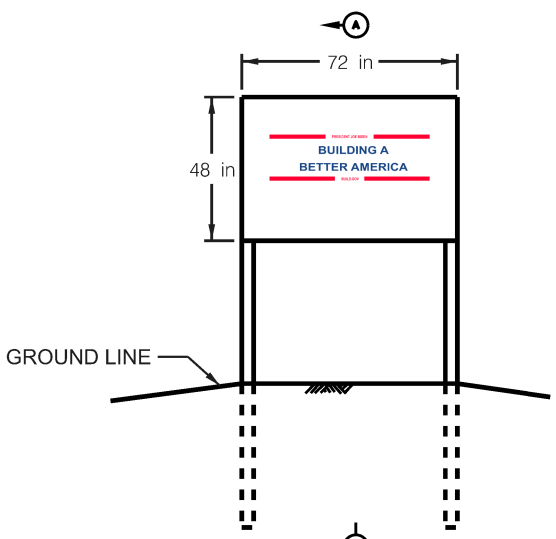
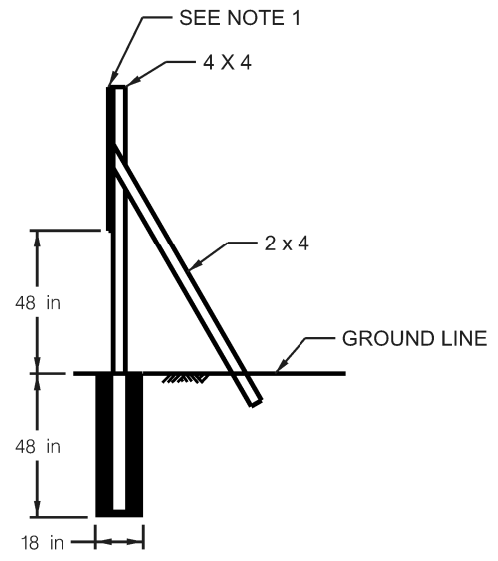


ELEVATION



ELEVATION



SECTION A-A

SPECIFICATIONS

1. SIGN PANEL SHALL BE 4' x 6' x 3/4" MARINE-GRADE PLYWOOD OR 22 GAGE SHEET METAL.
2. POSTS AND BRACING SHALL BE TREATED, NO.1 GRADE YELLOW PINE.
3. ALL EXPOSED SURFACES SHALL BE GIVEN ONE COAT OF LINSEED OIL AND WIPED PRIOR TO PRIMING.
4. ALL EXPOSED SURFACES SHALL BE GIVEN ONE COAT OF WHITE AS PRIMER. SECOND COATS OF COLOR SHALL BE WHITE (COLOR CODE 242 /244 /248) RED (COLOR CODE 255 /0 /49) BLUE (COLOR CODE 22 /68 /132).
5. PAINT SHALL BE EXTERIOR LATEX\WATER BASED SEMI-GLOSS ENAMEL.

SCALE: NONE DECEMBER 2022

U.S. ARMY ENGINEER DISTRICT, MEMPHIS
CORPS OF ENGINEERS
MEMPHIS, TENNESSEE

TEMPORARY PROJECT
FUNDING SOURCE SIGN