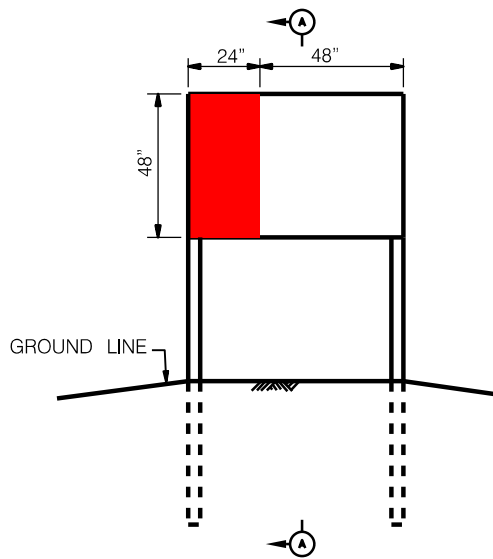
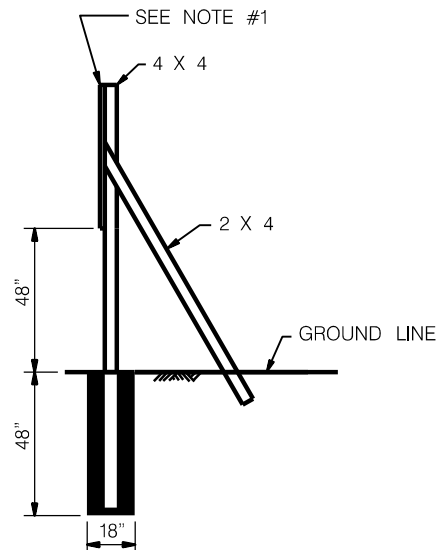


ELEVATION



ELEVATION



SECTION A-A

SPECIFICATIONS

- SIGN PANEL SHALL BE 4' x 6' x 3/4" MARINE-GRADE PLYWOOD OR 22 GAGE SHEET METAL.
- POSTS AND BRACING SHALL BE TREATED, NO.1 GRADE YELLOW PINE.
- ALL EXPOSED SURFACES SHALL BE GIVEN ONE COAT OF LINSEED OIL AND WIPED PRIOR TO PRIMING.
- ALL EXPOSED SURFACES SHALL BE GIVEN ONE COAT OF WHITE AS PRIMER. SECOND COAT SHALL BE COMMUNICATIONS RED ON LEFT AND WHITE ELSEWHERE.
- THE LEFT SECTION SHALL BE RED WITH WHITE LEGEND. THE RIGHT SECTION SHALL BE WHITE WITH BLACK LEGEND.
- PAINT SHALL BE EXTERIOR LATEX\WATER BASED SEMI-GLOSS ENAMEL.
- ALL LETTERING SHALL BE 1 1/4" WITH A TWO INCH LETTER SPACING UNLESS NOTED OTHERWISE. THE WORDS "US Army Corps of Engineers" SHALL BE 1 1/2" TALL. THE PROJECT TITLE LETTERING SHALL BE A MINIMUM OF 1 1/2" TALL AND A MAXIMUM OF 3 1/2" TALL. THE LETTERING SIZE SHALL BE CHOSEN SUCH THAT LARGEST POSSIBLE LETTERS ARE USED WITHOUT EXCEEDING A MAXIMUM LINE LENGTH OF 42". THE NUMBER OF LINES IN THE PROJECT TITLE SHALL MATCH THAT SHOWN ON THE COVER SHEET OF THE PLANS.

SCALE: NONE

NOVEMBER 2022

U.S. ARMY ENGINEER DISTRICT, MEMPHIS
CORPS OF ENGINEERS
MEMPHIS, TENNESSEE

TEMPORARY
PROJECT SIGN